

# 700 BAR / 350 BAR HPR HYDROGEN PRESSURE REGULATOR

700 BAR

350 BAR



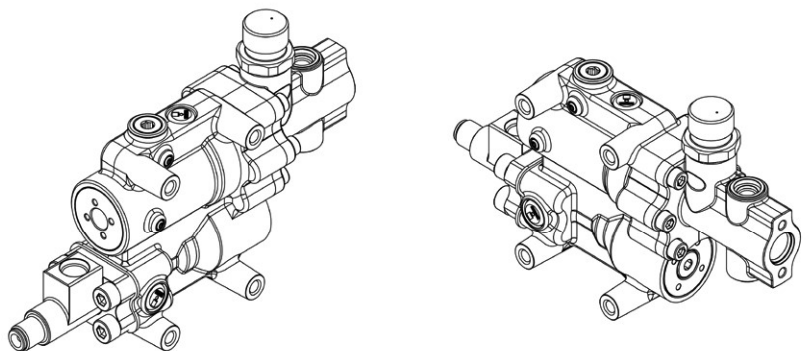
## DESCRIPTION

The OMB 700/350 bar H<sub>2</sub> Pressure Regulator (HPR) is a mechanical double stage regulator designed for fuel cell applications with the following components integrated:

- Inlet / outlet port
- Inlet Filter 10 microns
- Pressure relief valve (PRV)
- Excess Flow Valve (EFV)

The HPR can be requested with the following options:

- High Pressure sensors
- Low Pressure sensors (up to 2)
- Low Pressure Service Valve
- Outlet regulated pressure from 8bar to 16bar
- Inlet 700bar: Voss / Autoclave OD 3/8
- Inlet 350bar: SAEJ 1926
- PRV: customizable activation
- Possibility to install high- and low-pressure sensor



Certification  
EC79, PED (for 350bar)

