

Tube Butt Weld Fittings L Series

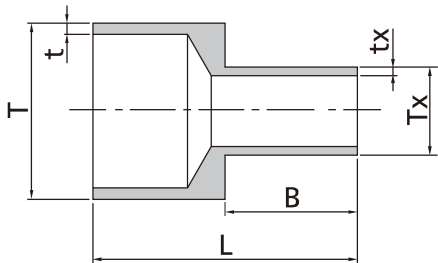
Features

- ⦿ Extended tube design
- ⦿ Machined from forging blanks except for straight configurations
- ⦿ Sizes range from 1/4" to 1" and 6 mm to 18 mm

Process Specification

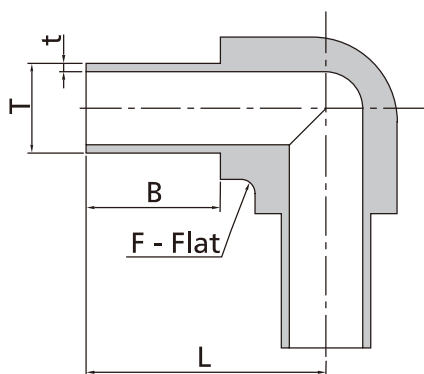
Item	Process Specification	Standard Cleaning and Packaging Process (FC-01) Special Cleaning and Packaging Process (FC-02)
	Material	316 SS, 316L SS
Wetted Surface Roughness	Ra 10 μin. (0.25 μm)	
Polishing Process	Machine finished	

Reducing Unions



Fractional					
T-Tube O.D. (in.)	t-Wall Thickness (in.)	Tx-Tube O.D. (in.)	tx-Wall Thickness (in.)	Basic Ordering Number	Dimens L
3/8	0.035	1/4	0.035	-WU2-TB6-TB4	1.50 (38.1)
1/2	0.049	1/4	0.035	-WU2-TB8-TB4	1.50 (38.1)
1/2	0.049	3/8	0.035	-WU2-TB8-TB6	1.50 (38.1)
3/4	0.049	1/2	0.049	-WU2-TB12-TB8	1.50 (38.1)
1	0.065	1/2	0.049	-WU2-TB16-TB8	1.50 (38.1)

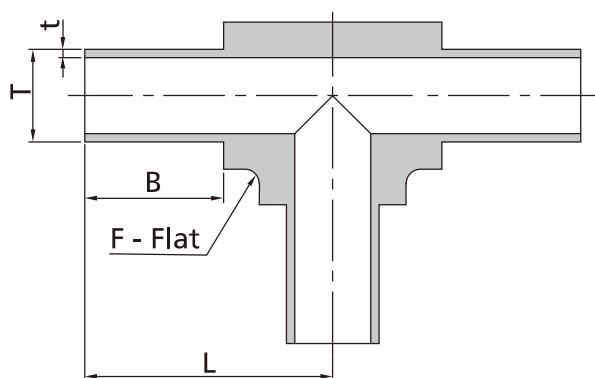
90° Union Elbows



Fractional			
T-Tube O.D. (in.)	t-Wall Thickness (in.)	Basic Ordering Number	Dimension
			L
1/4	0.035	-WL2-TB4	1.23 (31.2)
3/8	0.035	-WL2-TB6	1.20 (30.5)
1/2	0.049	-WL2-TB8	1.34 (34.0)
3/4	0.049	-WL2-TB12	1.46 (37.1)

Metric			
T-Tube O.D. (mm)	t-Wall Thickness (mm)	Basic Ordering Number	Dimension
			L
6	1.0	-WL2-MTB6	31.2 (1.23)
8	1.0	-WL2-MTB8	31.2 (1.23)
10	1.0	-WL2-MTB10	34.0 (1.34)
12	1.0	-WL2-MTB12	34.0 (1.34)
18	1.5	-WL2-MTB18	37.6 (1.48)

Union Tees

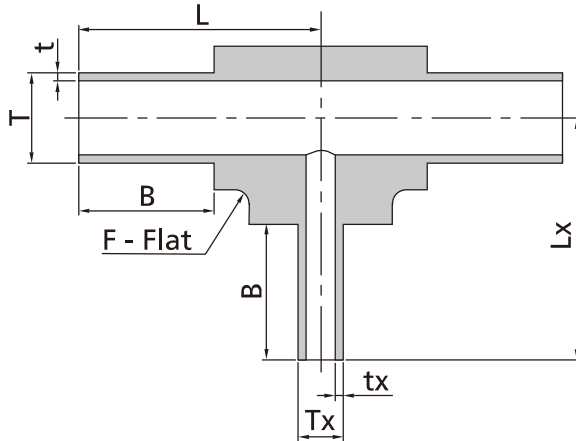


Fractional			
T-Tube O.D. (in.)	t-Wall Thickness (in.)	Basic Ordering Number	Dimension
			L
1/4	0.035	-WT2-TB4	1.23 (31.2)
3/8	0.035	-WT2-TB6	1.20 (30.5)
1/2	0.049	-WT2-TB8	1.34 (34.0)
3/4	0.049	-WT2-TB12	1.46 (37.1)

Metric			
T-Tube O.D. (mm)	t-Wall Thickness (mm)	Basic Ordering Number	Dimension
			L
6	1.0	-WT2-MTB6	31.2 (1.23)
8	1.0	-WT2-MTB8	31.2 (1.23)
10	1.0	-WT2-MTB10	34.0 (1.34)
12	1.0	-WT2-MTB12	34.0 (1.34)
18	1.5	-WT2-MTB18	37.6 (1.48)

F-13 Weld Fittings

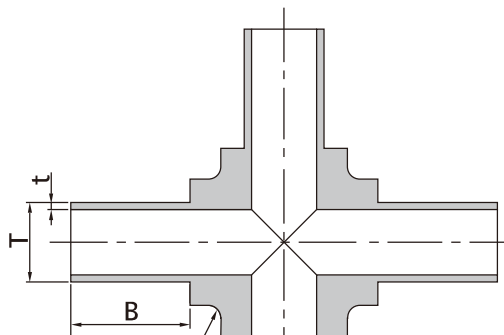
Reducing Tees



Fractional						
T-Tube O.D. (in.)	t-Wall Thickness (in.)	Tx-Tube O.D. (in.)	tx-Wall Thickness (in.)	Basic Ordering Number	Dim	
					L	
3/8	0.035	1/4	0.035	-WT2-TB6-TB6-TB4	1.20 (30.5)	1.23
1/2	0.049	1/4	0.035	-WT2-TB8-TB8-TB4	1.34 (34.0)	1.34
1/2	0.049	3/8	0.035	-WT2-TB8-TB8-TB6	1.34 (34.0)	1.35
3/4	0.049	1/4	0.035	-WT2-TB12-TB12-TB4	1.46 (37.1)	1.48
3/4	0.049	3/8	0.035	-WT2-TB12-TB12-TB6	1.46 (37.1)	1.35

Metric						
T-Tube O.D. (mm)	t-Wall Thickness (mm)	Tx-Tube O.D. (mm)	tx-Wall Thickness (mm)	Basic Ordering Number	Dim	
					L	
8	1.0	6	1.0	-WT2-MTB8-MTB8-MTB6	31.3 (1.23)	31.3
10	1.0	6	1.0	-WT2-MTB10-MTB10-MTB6	34.0 (1.34)	34.0
10	1.0	8	1.0	-WT2-MTB10-MTB10-MTB8	34.0 (1.34)	34.0
12	1.0	6	1.0	-WT2-MTB12-MTB12-MTB6	34.0 (1.34)	34.0
12	1.0	8	1.0	-WT2-MTB12-MTB12-MTB8	34.0 (1.34)	34.0

Union Crosses



Fractional			
T-Tube O.D. (in.)	t-Wall Thickness (in.)	Basic Ordering Number	Dim
1/4	0.035	-WC2-TB4	1.23
3/8	0.035	-WC2-TB6	1.20
1/2	0.049	-WC2-TB8	1.34