

# 700 BAR OTV 700 GEN 2 ON TANK VALVE



## DESCRIPTION

OMB 700 bar H2 valve is a multifunctional valve to be assembled on a tank system, for stationary or automotive use. The valve is equipped with the following components:

- Single inlet/outlet port
- Improved solenoid valve endurance compare to Gen1
- Manual safety tap, to be used in order to isolate the automatic valve (in case of failure or maintenance);
- Bleed Valve, directly connected to the tank (in order to by-pass the excess flow, the manual valve and the solenoid valve)
- Thermal PRD (pressure relief device to prevent the explosion of the tank due to fire, based on a glass bulb concept)
- Two Filters 10 micron
- Fueling Check valve
- Temperature sensor
- Excess flow valve (flow limiter)
- Pressure Port
- Port for Middle TPRD

## INSTALLATION TOOL

The tool is necessary to install the valve on the tank and apply the proper torque according to the user manual. P/N 875.88.100

T-SENSOR: **NOM. RESISTANCE 10 KOHM**

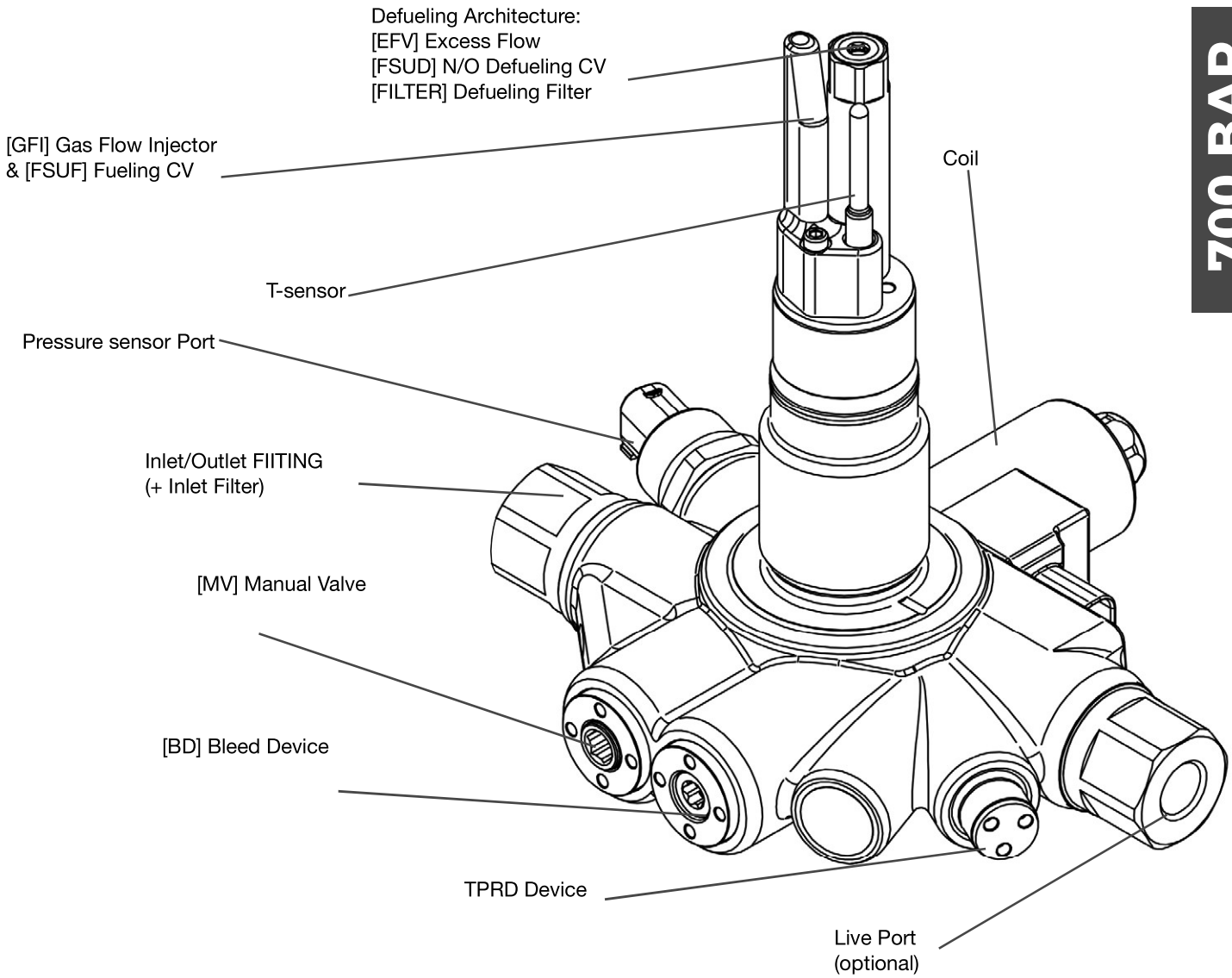
TPRD VENT HOLE: **Ø = 3.3 MM**

KV VALUE: **FUELING = 0.17 DEFUELING = 0.13**

TPRD VENT LINE ADAPTER: **7/16-20 UNF - 2B**



Certification  
EC79, R134, EU535, HGV3.1, HPRD1



Assembly code

Boss [S-M]	Liveport [L-N]	Sensor Port [S-C-N]	Voltage [2-4]	Fitting connection [A-V6]	Code	BOM
S	L	S	2	V6	87588V-SLS2-V6	REV10
S	L	S	2	A	87588V-SLS2-A	REV09
S	L	C	2	A	87588V-SLC2-A	REV09
S	L	C	4	V6	87588V-SLC4-V6	REV08
M	L	C	2	A	87588V-MLC2-A	REV08
M	N	S	4	A	87588V-MNS4-A	REV07
S	N	C	4	V6	87588V-SNC4-V6	REV06
M	L	N	2	A	87588V-MLN2-A	REV04
M	N	C	4	A	87588V-MNC4-A	REV04
M	N	S	2	A	87588V-MNS2-A	REV03
S	N	N	4	V6	87588V-SNN4-V6	REV03
S	N	S	2	A	87588V-SNS2-A	REV01
S	N	N	2	A	87588V-SNN2-A	REV01
S	N	N	2	V6	87588V-SNN2-V6	REV00
S	N	C	2	A	87588V-SNC2-A	REV00
S	L	C	2	V6	87588V-SLC2-V6	REV00

**Boss Variant**  
 S: 1 1/2 - 12 UNF - 2A  
 M: M4 5X2 - 6g

**Live Port Variant**  
 N: NO  
 L: YES

**Sensor Port Variant**  
 S: with pressure sensor certified EC79  
 C: with cap  
 N: no sensor port

**Voltage Variant**  
 2: 12V  
 4: 24V

**Fitting connection Variant**  
 A: AUTOCLAVE 9/16" PIPING 3/8"  
 V6: VOSS LOK40-7/16"20 UNF-2A  
 PIPING OD 6mm

Applications

