

560/700 BAR CLACK VALVE MANUAL VALVE FOR GAS TRANSPORTATION & INDUSTRIAL

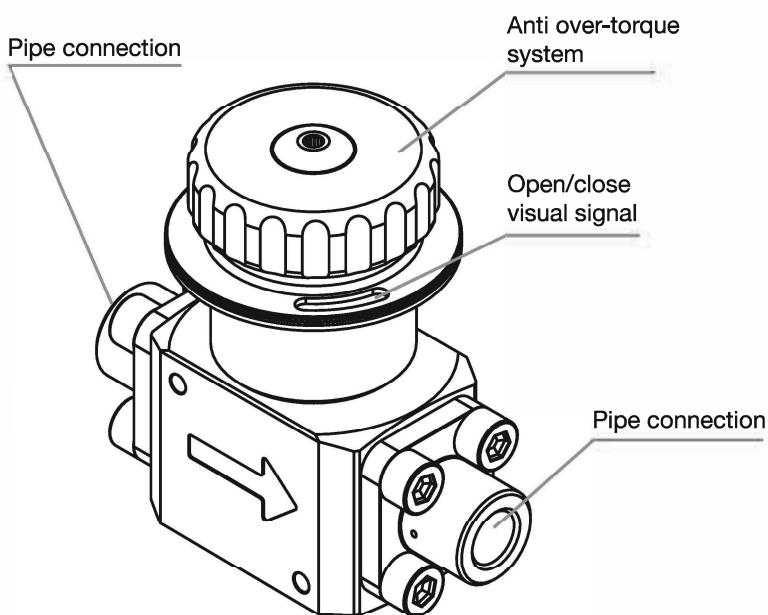
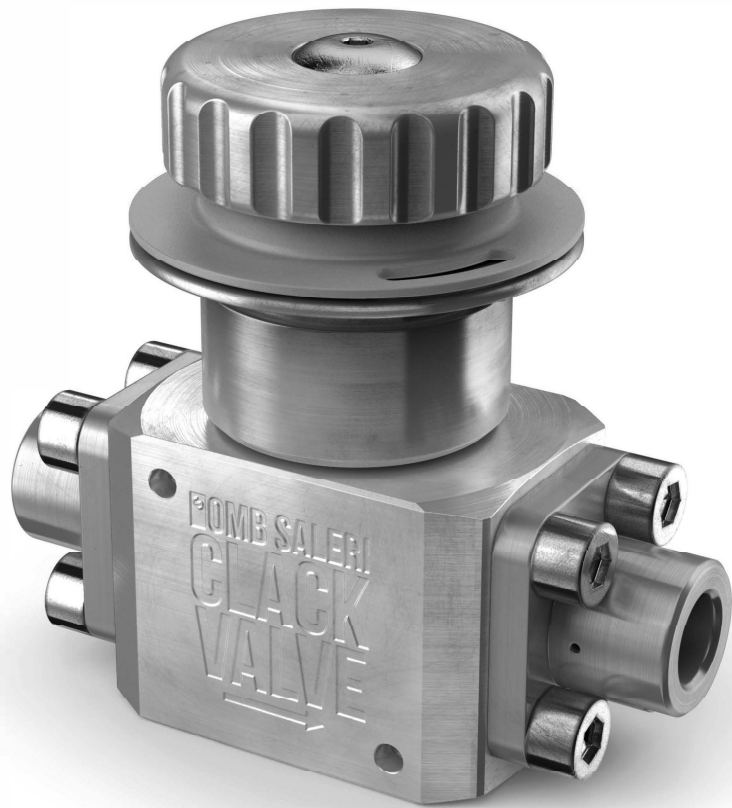
DESCRIPTION

The clack valve is an innovative needle manual valve designed to withstand high pressure and high flow according to the main gas transportation market demands.

The ergonomic handle allows the opening and closing with only one turn and a very low torque.

This valve integrates a visual indicator and an innovation patented solution with anti-overtorque system that avoids improper usage in the field.

The needle valve technology allows a progressive opening avoids the shocks in the system.



FEATURES

- NWP: 560 bar (upgradable to 700bar)
- H2 compatible
- Needle manual valve
- InLine connection (customizable)
- HOLE Ø13mm
- Less than 1 turn to open and close
- Open/close indicator
- Open/close torque at the opening: max 3 Nm
- Total weight estimation in SS: 3500 gr.



Certification
PED & TPED pending

