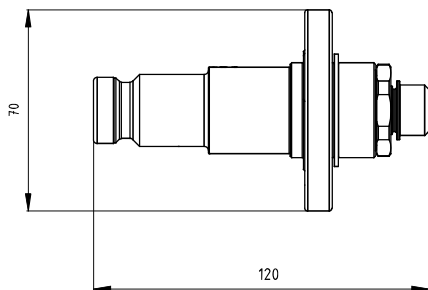
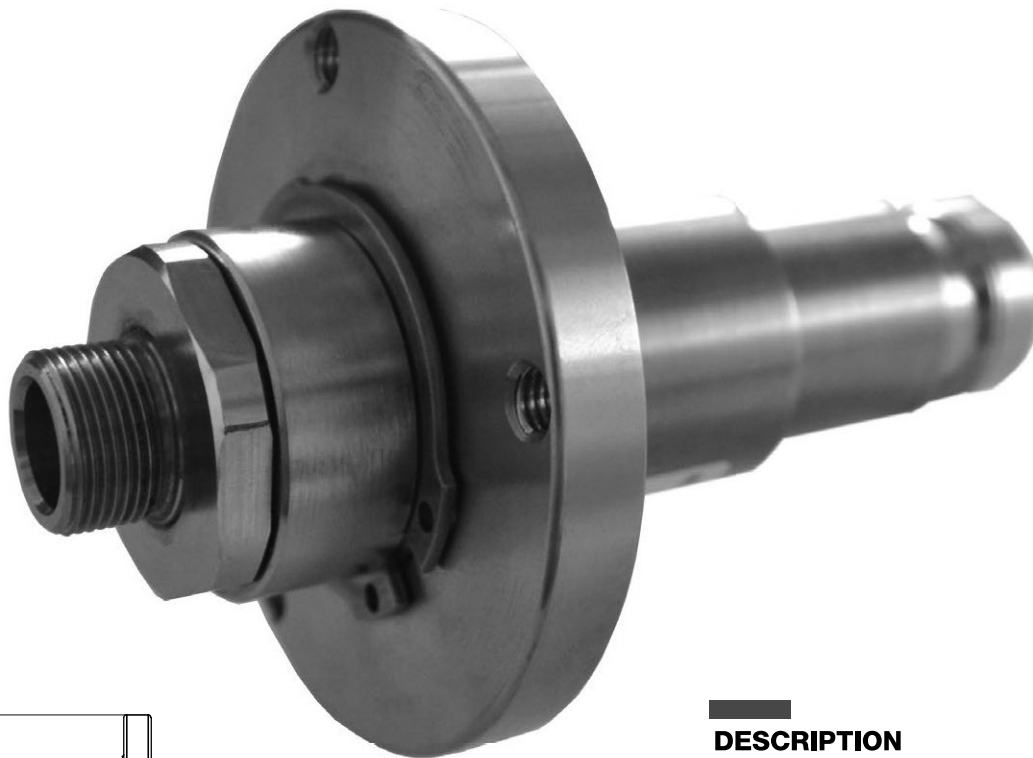


700 BAR HFR HYDROGEN FILLING RECEPTACLE

700 BAR



DESCRIPTION

- H70 Hydrogen receptacle shape according to: SAE J2600 / ISO 17268
- 10 microns Filter protection
- Possibility to install IR emitter
- Dust cap options
- Dedicated bracket to assemble the valve to the chassis

| Art. / Code | Pipe Connection | Bracket Connection | Kv. | Filter | Opening at | Receptacle | Dust Cap |
|-------------|---------------------------------------|----------------------------|-------|--------|------------|---------------------|----------|
| 870.88.335B | "Adapter 9/16 -18 UNF - 2B AISI 316L" | "n°3 M6 x 1 (0°-90°-135°)" | >0.22 | 10 µm | 0.1 MPa | SAE J2600 ISO 17268 | ✗ |
| 870.88.487C | "Voss Lock 5/8 (Male) SUS 316L" | "n°3 M6 x 1 (0°-90°-135°)" | >0.22 | 10 µm | 0.1 MPa | SAE J2600 ISO 17268 | ✓ |

Applications



Certification
EC79

