

DEI

VALVES STOCKIST

INDUSTRIAL VALVES



LEXIER



Distributor in Spain
Tel: +34 93 171 31 01
lexier@lexier.es

www.lexierweb.com

The D.E.I. group holds an extensive stock of industrial valves from world-leading manufacturers. Available in a wide range of designs, sizes, pressure ratings and materials.

We are a dynamic team committed to agile service and fast delivery.

Our technical and commercial team is at your disposal to advise and resolve any enquiry promptly.

We are your ideal option when you require a high-quality industrial valve at short notice and a competitive price.

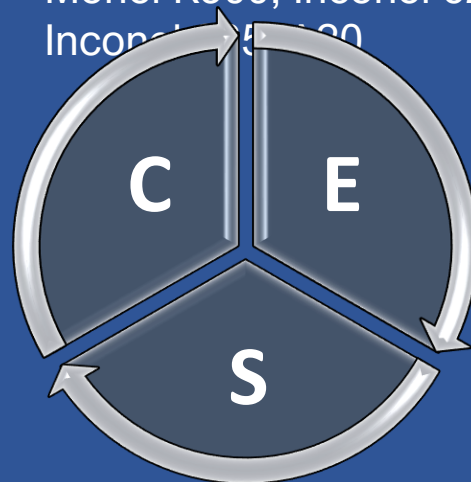


Extensive stock (over 100,000 units) of forged and cast valves in various designs and materials:

- ✓ Globe Valve
- ✓ Gate Valve
- ✓ Swing Check Valve
- ✓ Piston Check Valve
- ✓ Bellows Seal Valve
- ✓ Ball Valve
- ✓ Low Temperature Service Valve
- ✓ Cryogenic Service Valve
- ✓ API 6A Valves

Materials available in stock:

- ✓ A105, LF2
- ✓ F316/316L, F304
- ✓ F5, F9, F11, F22, F44, F51, F53, F55, F91
- ✓ AISI 321, AISI 347
- ✓ Monel K500, Inconel 625, Inconel 600

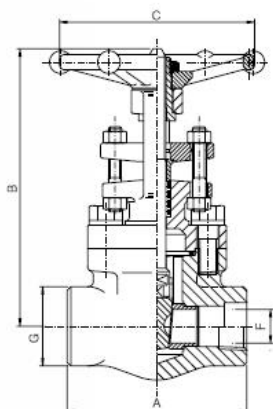


Quality / Experience / Service

GATE VALVES

GATE VALVE – Bolted Bonnet – Full & Standard Port

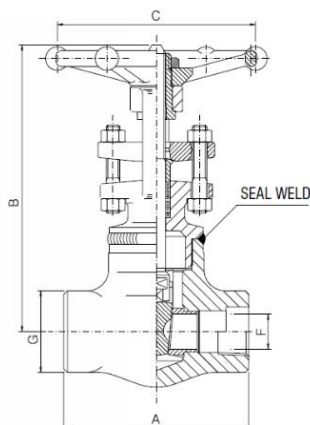
ANSI Class 800 / 1500 – Sizes ½" – 2"



FEATURES & STANDARDS	
OUTSIDE SCREW & YOKE OS&Y	
BOLTED BONNET	
NON-RISING HANDWHEEL – RISING STEM	
HORIZONTAL OR VERTICAL INSTALLATION	
DESIGN STANDARDS	API 602 – ASME B16.34 – BS 5352
FACE TO FACE	ANSI B16.10
BUTT WELD ENDS	ANSI B16.25
SOCKET WELD ENDS	ANSI B16.11
SCREWED NPT ENDS	ANSI B1.20.1
P-T RATING	ANSI B16.34
PRESSURE TEST	API 598

GATE VALVE – Welded Bonnet – Full & Standard Port

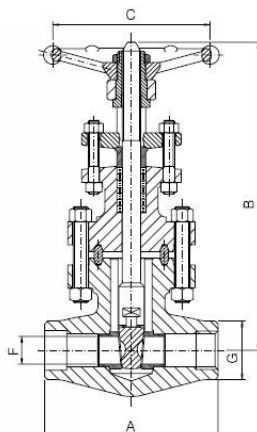
ANSI Class 800 / 1500 – Sizes ½" – 2"



FEATURES & STANDARDS	
OUTSIDE SCREW & YOKE OS&Y	
BOLTED BONNET	
NON-RISING HANDWHEEL – RISING STEM	
HORIZONTAL OR VERTICAL INSTALLATION	
DESIGN STANDARDS	API 602 – ASME B16.34 – BS 5352
BODY BONNET WELD	ASME IX
FACE TO FACE	ANSI B16.10
BUTT WELD ENDS	ANSI B16.25
SOCKET WELD ENDS	ANSI B16.11
SCREWED NPT ENDS	ANSI B1.20.1
P-T RATING	ANSI B16.34
PRESSURE TEST	API 598

GATE VALVE – Bolted Bonnet – Full Port

ANSI Class 1500 / 2500 – Sizes ½" – 2"

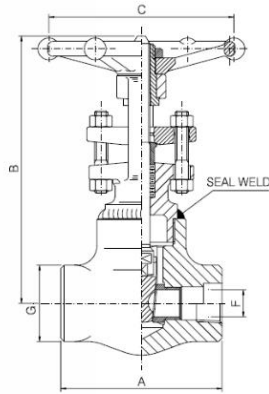


FEATURES & STANDARDS	
OUTSIDE SCREW & YOKE OS&Y	
BOLTED BONNET	
NON-RISING HANDWHEEL – RISING STEM	
HORIZONTAL OR VERTICAL INSTALLATION	
DESIGN STANDARDS	ASME B16.34 – BS 5352
FACE TO FACE	ANSI B16.10
BUTT WELD ENDS	ANSI B16.25
SOCKET WELD ENDS	ANSI B16.11
SCREWED NPT ENDS	ANSI B1.20.1
P-T RATING	ANSI B16.34
PRESSURE TEST	API 598

Válvulas en materiales A105, LF2, F5, F9, F11, F304, F316, F316L, F51, F55, F44, F347, F91, F321, A20, INCOLOY 825, K500 (disponibilidad a consultar)

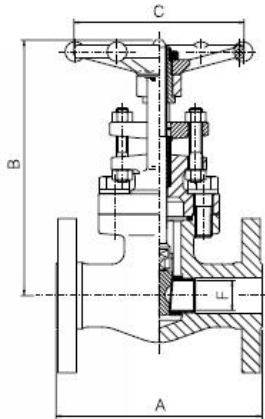
GATE VALVES

GATE VALVE – Welded Bonnet – Full & Standard Port
ANSI Class: 2500 / 4500 – Sizes: 1/2" – 2"



FEATURES & STANDARDS	
OUTSIDE SCREW & YOKE OSS&Y	
WELDED BONNET	
NON-RISING HANDWHEEL – RISING STEM	
HORIZONTAL OR VERTICAL INSTALLATION	
DESIGN STANDARDS	API 600 / API 602
FACE TO FACE	ANSI B16.10
BUIT WELD ENDS	ANSI B16.25
SOCKET WELD	ANSI B16.11
NPT ENDS	ANSI B1.20.1
P-T RATING	ANSI B16.34
PRESSURE TEST	API 598

GATE VALVE – Bolted Bonnet – Full & Standard Port
ANSI Class: 150 / 300 / 600 / 800 / 1500

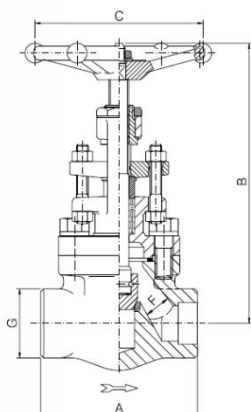


FEATURES & STANDARDS	
OUTSIDE SCREW & YOKE OSS&Y	
BOLTED & WELDED BONNET	
RISING STEM	
HORIZONTAL OR VERTICAL INSTALLATION	
DESIGN STANDARDS	B16.34 - BS 5352
FACE TO FACE	ANSI B16.10
FLANGE FACE	ANSI B16.5
PRESSURE TEST	API 598

Válvulas en materiales: A105, LF2, F5, F9, F11, F304, F316, F316L, F51, F55, F44, F347, F91, F321, A20, INCOLOY 825, K500 (disponibilidad a consultar)

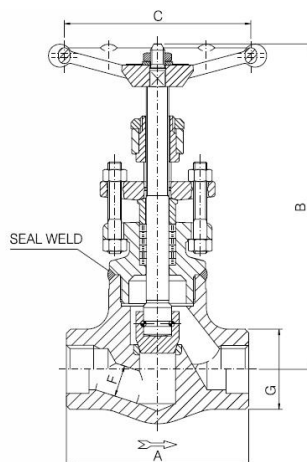
GLOBE VALVES

GLOBE VALVE – Bolted Bonnet – Full & Standard Port
ANSI Class 800/1500 – Sizes 1/2" – 2"



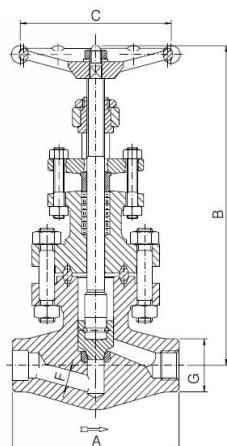
FEATURES & STANDARDS	
OUTSIDE SCREW & YOKE OSSY	
BOLTED BONNET	
NON-RISING HANDWHEEL – RISING STEM	
HORIZONTAL OR VERTICAL INSTALLATION	
DESIGN STANDARDS	ASME B16.34 – BS 5352
BUTT WELD ENDS	ANSI B16.25
SOCKET WELD ENDS	ANSI B16.11
SCREWED NPT ENDS	ANSI B1.20.1
P-T RATING	ANSI B16.34
PRESSURE TEST	API 598

GLOBE VALVE – Welded Bonnet – Full & Standard Port
ANSI Class 800/1500 – Sizes 1/2" – 2"



FEATURES & STANDARDS	
OUTSIDE SCREW & YOKE OSSY	
WELDED BONNET	
NON-RISING HANDWHEEL – RISING STEM	
HORIZONTAL OR VERTICAL INSTALLATION	
DESIGN STANDARDS	ASME B16.34 – BS 5352
BODY BONNET WELD	ASME IX
BUTT WELD ENDS	ANSI B16.25
SOCKET WELD ENDS	ANSI B16.11
SCREWED NPT ENDS	ANSI B1.20.1
P-T RATING	ANSI B16.34
PRESSURE TEST	API 598

GLOBE VALVE – Bolted Bonnet – Full Port
ANSI Class 1500/2500 – Sizes 1/2" – 2"

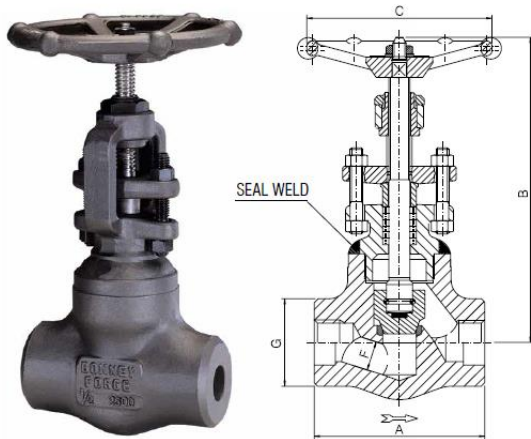


FEATURES & STANDARDS	
OUTSIDE SCREW & YOKE OSSY	
BOLTED BONNET	
NON-RISING HANDWHEEL – RISING STEM	
HORIZONTAL OR VERTICAL INSTALLATION	
DESIGN STANDARDS	ASME B16.34 – BS 5352
BUTT WELD ENDS	ANSI B16.25
SOCKET WELD ENDS	ANSI B16.11
SCREWED NPT ENDS	ANSI B1.20.1
P-T RATING	ANSI B16.34
PRESSURE TEST	API 598

Válvulas en materiales A105, LF2, F5, F9, F11, F304, F316, F316L, F51, F55, F44, F347, F91, F321, A20, INCOLOY 825, K500 (disponibilidad a consultar)

GLOBE VALVES

GATE VALVE – Welded Bonnet – Full & Standard Port
ANSI Class 2500 / 4500 – Sizes ½” – 2”



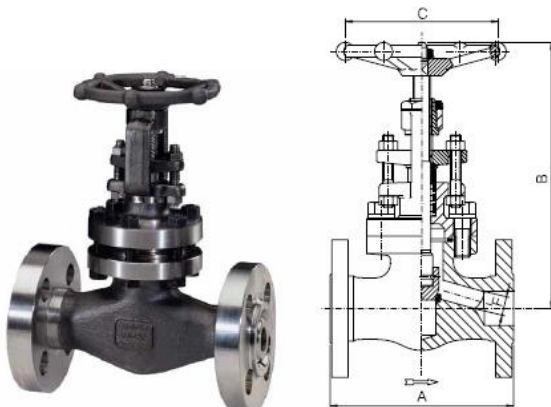
FEATURES & STANDARDS	
OUTSIDE SCREW & YOKE OSS&Y	
WELDED BONNET	
NON-RISING HANDWHEEL – RISING STEM	
HORIZONTAL OR VERTICAL INSTALLATION	
DESIGN STANDARDS	ASME B16.34
BODY BONNET	ASME IX
BUTT WELD ENDS	ANSI B16.25
SOCKET WELD	ANSI B16.11
NPT ENDS	ANSI B1.20.1
P-T RATING	ANSI B16.34
PRESSURE TEST	API 598

GLOBE VALVE – Welded Bonnet, Full Port (Y TYPE)
ANSI Class 800 / 1690 – Sizes ½” – 2”



FEATURES & STANDARDS	
OUTSIDE SCREW & YOKE OSS&Y	
WELDED BONNET	
NON-RISING HANDWHEEL – RISING STEM	
HORIZONTAL OR VERTICAL INSTALLATION	
DESIGN STANDARDS	ASME B16.34
BODY BONNET WELD	ASME IX
BUTT WELD ENDS	ANSI B16.25
SOCKET WELD	ANSI B16.11
NPT ENDS	ANSI B1.20.1
P-T RATING	ANSI B16.34
PRESSURE TEST	API 598

GLOBE VALVE – Bolted Bonnet – Full & Standard Port
ANSI Class 150 / 300 / 600 / 800 / 1500



FEATURES & STANDARDS	
OUTSIDE SCREW & YOKE OSS&Y	
BOLTED & WELDED BONNET	
RISING STEM	
HORIZONTAL OR VERTICAL INSTALLATION	
DESIGN STANDARDS	B16.34 – BS 5352
FACET TO FACE	ANSI B16.10
FLANGE FACE	ANSI B16.5
PRESSURE TEST	API 598

Válvulas en materiales: A105, LF2, F5, F9, F11, F304, F316, F316L, F51, F55, F44, F347, F91, F321, A20, INCOLOY 825, K500 (disponibilidad a consultar)

CHECK VALVES

CHECK VALVE - Bolted Bonnet - Full & Standard Port
ANSI Class: 800/1500 - Sizes: 1/2" - 2"



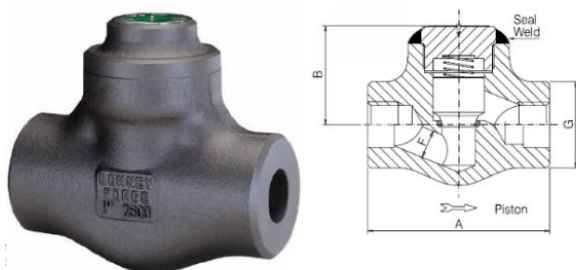
FEATURES & STANDARDS	
BOLTED BONNET COVER	
HORIZONTAL INSTALLATION (CHECK)	
HORIZONTAL OR VERTICAL INSTALLATION (PISTON)	
DESIGN STANDARDS	ASME B16.34
BUTT WELD ENDS	ANSI B16.25
SOCKET WELD	ANSI B16.11
NPT ENDS	ANSI B1.20.1
P-T RATING	ANSI B16.34
PRESSURE TEST	API 598

CHECK VALVE - Bolted Bonnet - Full & Standard Port
ANSI Class: 1500/2500 - Sizes: 1/2" - 2"



FEATURES & STANDARDS	
OUTSIDE SCREW & YOKE OSS&Y	
BOLTED BONNET	
NON-RISING HANDWHEEL - RISING STEM	
HORIZONTAL OR VERTICAL INSTALLATION	
DESIGN STANDARDS	ASME B16.34 - BS 5352
BUTT WELD ENDS	ANSI B16.25
SOCKET WELD ENDS	ANSI B16.11
SCREWED NPT ENDS	ANSI B1.20.1
P-T RATING	ANSI B16.34
PRESSURE TEST	API 598

PISTON CHECK VALVES - Welded Bonnet - Full Bore
ANSI Class: 4500 - Sizes: 1/2" - 2"

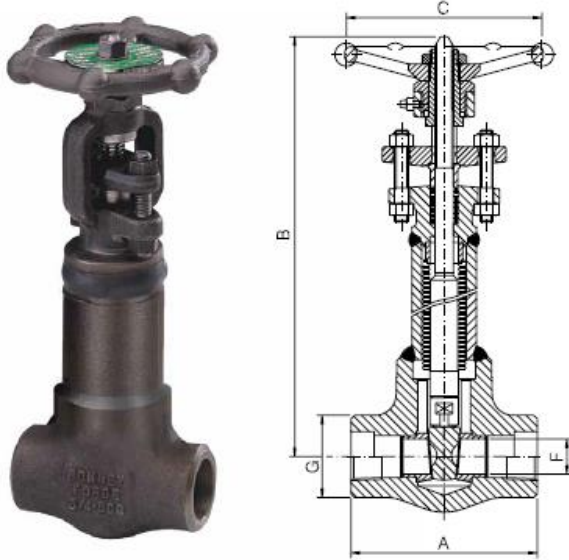


FEATURES & STANDARDS	
OUTSIDE SCREW & YOKE OSS&Y	
BOLTED BONNET	
NON-RISING HANDWHEEL - RISING STEM	
HORIZONTAL OR VERTICAL INSTALLATION	
DESIGN STANDARDS	ASME B16.34 - BS 5352
BODY BONNET WELD	ASME IX
BUTT WELD ENDS	ANSI B16.25
SOCKET WELD ENDS	ANSI B16.11
SCREWED NPT ENDS	ANSI B1.20.1
P-T RATING	ANSI B16.34
PRESSURE TEST	API 598

Válvulas en materiales: A105, LF2, F5, F9, F11, F304, F316, F316L, F51, F55, F44, F347, F91, F321, A20, INCOLOY 825, K500 (disponibilidad a consultar)

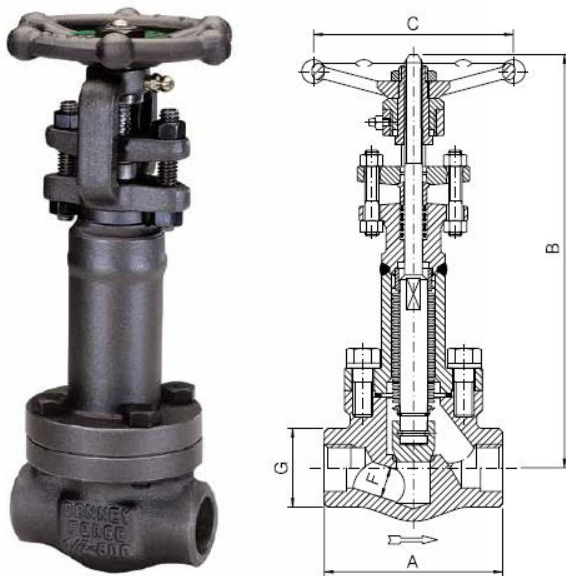
BELLOWS SEALED

GAST VALVE - BELLOWSEALED - Bolted Bonnet - Full & Standard Port
ANSI Class 150/300/800/1500 - Sizes 1/2" - 2"



FEATURES & STANDARDS	
OUTSIDE SCREW & YOKE OSSY	
BOLTED & WELDED BONNET	
NON-RISING HANDWHEEL - RISING STEM	
HORIZONTAL OR VERTICAL INSTALLATION	
DESIGN STANDARDS	API 602, ASME B16.34, MSS-SP-117, BS 5352
BODY BONNET WELD	ASME IX
FLANGE FACE	ANSI B16.5
BUTT WELD ENDS	ANSI B16.25
SOCKET WELD	ANSI B16.11
NPT ENDS	B1.20.1
PRESSURE TEST	API 598

GLOBE VALVE - BELLOWSEALED - Bolted Bonnet - Full & Standard Port
ANSI Class 150/300/800/1500 - Sizes 1/2" - 2"

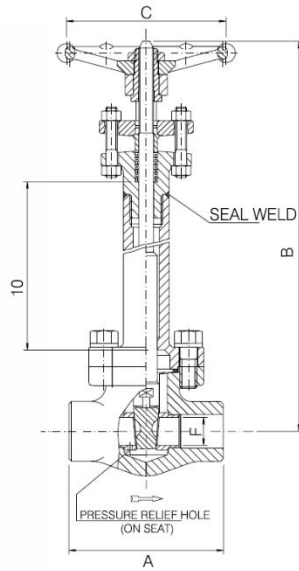


FEATURES & STANDARDS	
OUTSIDE SCREW & YOKE OSSY	
BOLTED & WELDED BONNET	
NON-RISING HANDWHEEL - RISING STEM	
HORIZONTAL OR VERTICAL INSTALLATION	
DESIGN STANDARDS	API 602, ASME B16.34, MSS-SP-117, BS 5352
BODY BONNET WELD	ASME IX
FLANGE FACE	ANSI B16.5
BUTT WELD ENDS	ANSI B16.25
SOCKET WELD	ANSI B16.11
NPT ENDS	B1.20.1
PRESSURE TEST	API 598

Válvulas en materiales A105, LF2, F5, F9, F11, F304, F316, F316L, F51, F55, F44, F347, F91, F321, A20, INCOLOY 825, K500 (disponibilidad a consultar)

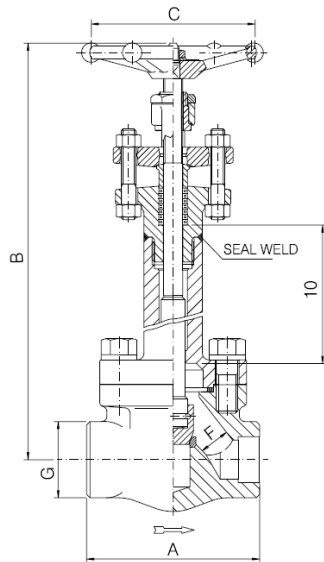
CRYOGENIC VALVES

CRYOGENIC GATE VALVE – Bolted Bonnet – Full & Standard Port
ANSI Class 800



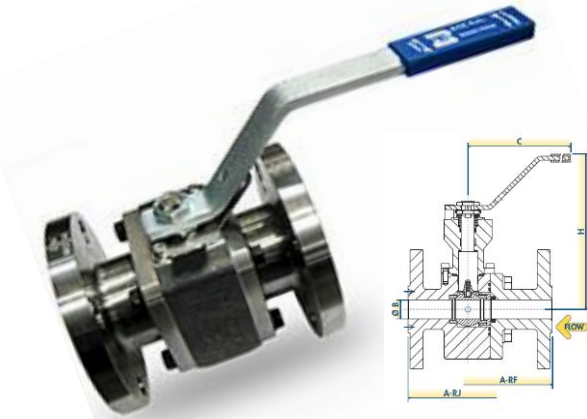
FEATURES & STANDARDS	
OUTSIDE SCREW & YOKE OSS&Y	
BOLTED BONNET	
NON-RISING HANDWHEEL & RISING STEM	
HORIZONTAL OR VERTICAL INSTALLATION	
DESIGN STANDARDS	API 602- ASME B16.34 BS 5352- BS 6364
BODY/BONNET WELDED	AVAILABLE
FLANGE FACE	ANSI B16.5
BUTT WELD ENDS	ANSI B16.25
SOCKET WELD	ANSI B16.11
NPT ENDS	BI.20.1
PRESSURE TEST	API 598

CRYOGENIC GLOBE VALVE – Bolted Bonnet – Full & Standard Port
ANSI Class 800



FEATURES & STANDARDS	
OUTSIDE SCREW & YOKE OSS&Y	
BOLTED BONNET	
NON-RISING HANDWHEEL & RISING STEM	
HORIZONTAL OR VERTICAL INSTALLATION	
DESIGN STANDARDS	API 602- ASME B16.34 BS 5352- BS 6364
BODY/BONNET WELDED	AVAILABLE
FLANGE FACE	ANSI B16.5
BUTT WELD ENDS	ANSI B16.25
SOCKET WELD	ANSI B16.11
NPT ENDS	BI.20.1
PRESSURE TEST	API 598

BALL VALVE Split body floating type
ANSI Class. 150 / 300 / 600 / 800 / 1500



FEATURES & STANDARDS	
HORIZONTAL OR VERTICAL INSTALLATION	
DESIGN STANDARDS	ISO 17292 - API 608 - ASME B16.34
FACE TO FACE	ASME B16.10
MARKING	MSS SP-25
FLANGE END DESIGN	ANSI B16.5
PRESSURE TEST	API 598 - BS 6755 part 1
RATED PRESSURE CLASS	ASME B16.34 EN12516-1/-2
FUGITIVE EMISSION	ISO 15848

- Live Loaded Stem Seal.
- Phosphate coated carbon steel valve body/closure.
- ISO 5211 mounting integrated in the forged body.
- Anti-static Device.
- Blow-out Proof stem.
- Fire-Safe.
- Cavity Pressure relief seat design.
- Standard O-Rings in Viton with AED properties.

VÁLVULA FUNDICIÓN

GATE / GLOBE / CHECK / BALL - BRONZE, ALL/BRONZE, ALL/BRONZE - MONEL
Class 150 / 200 / 300 - S150 S200 S300 - PN25 PN40



BALL VALVE THREADED (Fig. 460 470) - B62	
DESIGN STANDARDS	BS 5154
WORKING PRESSURE	PN16/40
MARKING	MSS SP-110
END DESIGN NPT/BSP	ANSI B1.20.1 / ISO-228/1

BALL VALVE THREADED (Fig. 470/471) - B62	
DESIGN STANDARDS	API STD 6FA / ISO 17292
BORE	REDUCED / FULL
WORKING PRESSURE	800 psig
MARKING	MSS SP-110
FIRE SAFE	API 607 / BS 6755
END DESIGN NPT/BSP	ANSI B1.20.1 / ISO-228/1

GATE VALVE RF (Fig. 322) - B62	
DESIGN STANDARDS	BS 5154
WORKING PRESSURE	ANSI 150/300
FACE TO FACE	ASME B16.10
MARKING	MSS SP-80
END DESIGN	ANSI B16.5

GLOBE VALVE THREADED (Fig. 352/353)	
DESIGN STANDARDS	BS 5154
WORKING PRESSURE	S200 / S300
MARKING	MSS SP-80
END DESIGN NPT/BSP	ANSI B1.20.1 / ISO-228/1

GATE VALVE THREADED (Fig. 317)	
DESIGN STANDARDS	BS 5154
WORKING PRESSURE	S200
MARKING	MSS SP-80
END DESIGN NPT/BSP	ANSI B1.20.1 / ISO-228/1

CHECK VALVE BSP (Fig. 372)	
DESIGN STANDARDS	BS 5154
WORKING PRESSURE	S100
MARKING	MSS SP-80
END DESIGN BSP	ISO-228/1

GATE VALVE - FLANGED ENDS

3" a 24" - ANSI Class 150 / 300 / 600



FEATURES & STANDARDS	
OUTSIDE SCREW & YOKE OSS&Y	
BOLTED BONNET	
RISING STEM & HANDWHEEL	
HORIZONTAL OR VERTICAL INSTALLATION	
DESIGN STANDARDS	API 600 / NACE MR 0175
FACE TO FACE	ANSI B16.10
FLANGE FACE	ANSI B16.5
P-T RATING	ANSI B16.34
PRESSURE TEST	API 598

GLOBE VALVE - FLANGED ENDS

3" a 24" - ANSI Class 150 / 300 / 600



FEATURES & STANDARDS	
OUTSIDE SCREW & YOKE OSS&Y	
BOLTED BONNET	
RISING STEM & HANDWHEEL	
HORIZONTAL OR VERTICAL INSTALLATION	
DESIGN STANDARDS	API 600 / NACE MR 0175
FACE TO FACE	ANSI B16.10
FLANGE FACE	ANSI B16.5
P-T RATING	ANSI B16.34
PRESSURE TEST	API 598

SWING CHECK VALVE - FLANGED ENDS

3" a 16" - ANSI Class 150 / 300 / 600



FEATURES & STANDARDS	
HORIZONTAL OR VERTICAL INSTALLATION	
DESIGN STANDARDS	API 600 / NACE MR 0175
FACE TO FACE	ANSI B16.10
FLANGE FACE	ANSI B16.5
P-T RATING	ANSI B16.34
PRESSURE TEST	API 598

DEI

VALVES STOCKIST

D.E.I. S.r.l.
Via Alessandria, 10015,
Ivrea (TO)



Tel: +34 93 171 31 01
lexier@lexier.es
www.lexierweb.com

